



USE AND INSTALLATION INSTRUCTIONS

AMSCI4H4S24

AMSCI4H4S36

Thank you very much for purchasing this Air Conditioner. Please read this **use and installation instructions** carefully before installing and using this appliance. And keep this manual for future reference.

Contents

safety instructions	1
Refrigerant flow diagram	3
Installation instruction	4
Installation diagram.....	4
Transportation and handing before installation	5
Select the installation locations.....	5
Install drainage elbow and drain hose	5
Outdoor installation	6
Refrigerant piping.....	6
Wiring	9
Trial run	13

NOTE:

- This heat pump air conditioner has been designed for the following temperatures. Operate the heat pump air-conditioner within this range.

Mode	Outdoor Working Temperature	
	Maximum	Minimum
Cooling Operation	115°F(46°C)	14°F(-10°C)
Heating Operation	75°F(24°C)	-13°F(-25°C)

- Storage condition: Temperature -13~140°F (-25~60°C)
Humidity 30%~80%

Safety precautions

1. This air conditioner uses new refrigerant HFC (R410A).
2. Since the max. working pressure is 550psig (3.8MPa), some of the piping and installation and service tools are special.
3. This air conditioner uses power supply: 208-230V ~, 60Hz.

Please read these SAFETY PRECAUTIONS carefully to ensure correct installation.

- Be sure to use a dedicated power circuit, and do not put other loads on the power supply.
- Be sure to read these SAFETY PRECAUTIONS carefully before installation.
- Be sure to comply with SAFETY PRECAUTIONS of installation manual, because it contains important safety issues. Definitions for identifying hazard levels are provide below with their respective safety symbols.
 - ⚠ **WARNING:** Hazards or unsafe practices which COULD result in severe personal injury or death.
 - ⚠ **CAUTION:** Hazards or unsafe practices which COULD result in minor personal injury or product or property damage.
- Please carefully file indoor and outdoor unit manual away for future reference.



- We recommend that this air-conditioner be installed properly by qualified installation technicians in accordance with the installation instructions provided with the unit.
Incomplete installation could cause damage by fire, electric shock, drop or water leakage.
- Wiring must be done by a qualified electrician.
- Install the air conditioner on a solid base that can support the unit weight.
An inadequate base or incomplete installation may cause injury in the event the unit falls off the base.
- Use the specified type of wire for electrical connections safely between the indoor and outdoor units.
And firmly connected to the connection part of wire terminals, so that the wire stress will not be applied to these parts.
Incomplete connection may cause fire.
- For wiring, use a cable long enough to cover the entire distance with no connection.
And don't connect multiple devices to the same AC power supply.
Otherwise, it may be due to bad contact, poor insulation, exceed the allowable current and cause a fire or electric shock.
- After all installation is complete, check to make sure that no refrigerant is leaking out.
If the refrigerant gas leakage to the interior, and the heater, stove flame touching it, will generate harmful substances.
- Perform the installation securely referring to the installation manual.
Incomplete installation could cause a personal injury due to fire, electric shock, the unit falling or leakage of water.
- In accordance with the installation instructions for electrical work, please be sure to use a dedicated line.
- If the power supply circuit capacity or electrical work is not in place, may cause a fire or electric shock.
- Attach the electrical cover to the indoor unit and the service panel to the outdoor unit securely.
- If the electrical covers on the indoor unit or the service panel of the outdoor unit are not attached securely, it could result in a fire or an electric shock due to dust water, etc.
- Please be sure to cut off the main power supply before the installation of indoor electronic PCB or wiring. Otherwise, it will cause electric shock.
- The device should be in accordance with the state provisions for installation wiring.
- The outdoor machine installation location should pay attention to the protection, avoid people or other small animals contact with electrical components, please keep the outdoor unit of the surrounding environment clean and tidy.
- When installing or relocating the unit, make sure that no substance other than the specified refrigerant (R410A) enters the refrigerant circuit.
Any presence of foreign substance such as air can cause abnormal pressure rise or an explosion.

Safety precautions

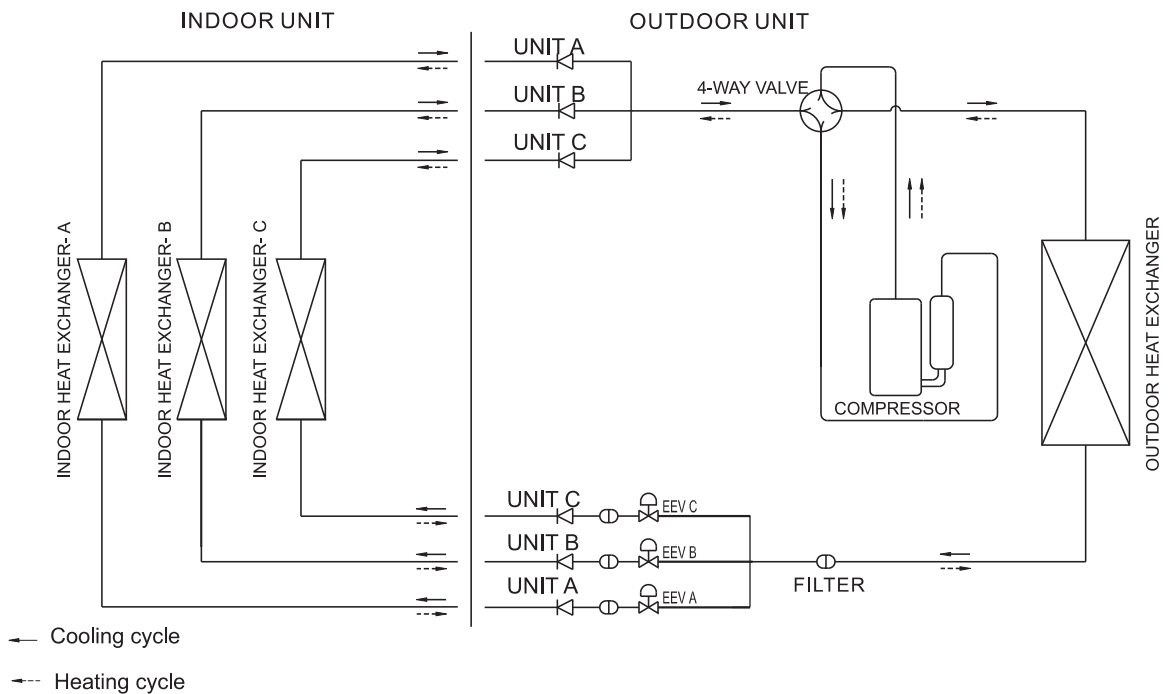


- Perform grounding
Does not connect the earth wire to a gas pipe, water pipe, lightning rod or telephone earth wire. Defective grounding could cause an electric shock.
- Do not install the unit in a place where an inflammable gas leaks.
If gas leaks and accumulates in the area surrounding the unit, it could cause an explosion.
- Fasten a flare nut with a torque wrench as specified in this manual.
When fastened too tight, a flare nut may break after a long period and cause a leakage of refrigerant.
- Install an earth leakage breaker depending on the installation place (where it is humid).
If an earth leakage breaker is not installed, it could cause an electric shock.
- Perform the drainage/piping work securely according to the installation manual.
- If there is a defect in the drainage/piping work, water could drop from the unit and household goods could be wet and damaged.

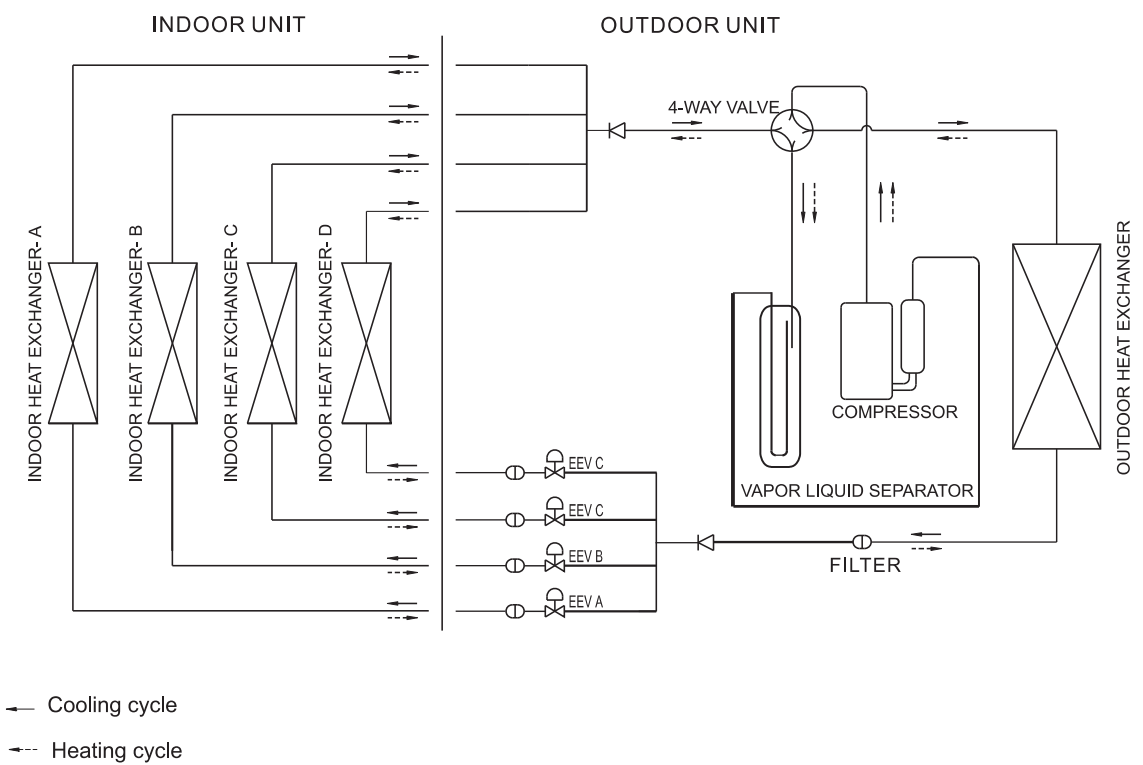
Safety instructions

- Do not let air enter the refrigeration system or discharge refrigerant when moving the air conditioner.
- The installation instructions for appliances that are intended to be permanently connected to fixed wiring, and have a leakage current that may exceed 10mA, shall state that the installation of a residual current device (RCD) having a rated residual operating current not exceeding 30mA is advisable.
- This appliance is not intended for use by persons (including children) with reduced physical, sensory or mental capabilities, or lack of experience and knowledge, unless they have been given supervision or instruction concerning use of the appliance by a person responsible for their safety.
- Children should be supervised to ensure that they do not play with the appliance.
- If the appliance is fixed wiring, the appliance must be fitted with means for disconnection from the supply mains having a contact separation in all poles that provide full disconnection under over voltage category III conditions, and these means must be incorporated in the fixed wiring in accordance with the wiring rules.
- If the supply cord is damaged, it must be replaced by the manufacturer, its service agent or similarly qualified persons in order to avoid a hazard.
- The appliance shall be installed in accordance with national wiring regulations.
- Servicing shall only be performed as recommended by the equipment manufacturer.
- The method of connection of the appliance to the electrical supply and interconnection of separate components is detailed in below part. The wiring diagram with a clear indication of the connections and wiring to external control devices and supply cord is detailed in below part. The cord of the H07RN-F type or the electrically equivalent type must be used for power connection and interconnection between outdoor unit and indoor unit. The size of the cord is detailed in below part.
- In order to avoid a hazard due to inadvertent resetting of the thermal cut-out, this appliance must not be supplied through an external switching device, such as a timer, or connected to a circuit that is regularly switched on and off by the utility.
- It is necessary to allow disconnection of the appliance from the supply after installation. The disconnection may be achieved by incorporating a switch in the fixed wiring in accordance with the wiring rules. During service and when replacing parts, be sure to disconnect the appliance from its power source. If the disconnection is not foreseen, a disconnection with a locking system in the isolated position shall be provided.
- The information of dimensions of the space necessary for correct installation of the appliance including the minimum permissible distances to adjacent structures is detailed in below part.
- Instructions on addition charging of refrigerants are detailed in below part.

Refrigerant flow diagram



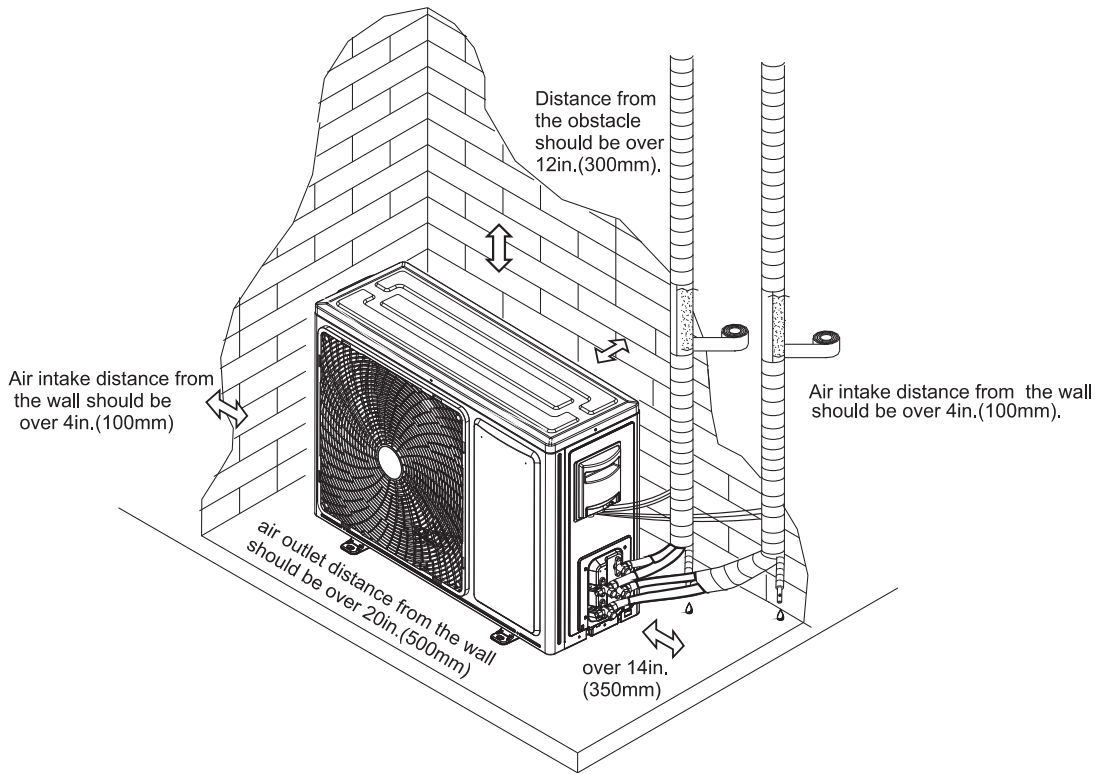
24K



36K

Installation instructions

Installation diagram



outdoor unit



- *Figures in this manual are only a simple presentation of the unit, it may not match the external appearance of the unit you purchased.*
- *Installation must be performed in accordance with the national wiring standards by authorized personnel only.*

Installation instructions

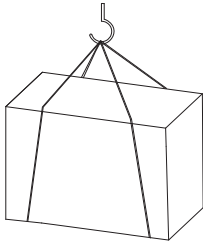
Transportation and Handling before Installation

Transport the product as close to the installation location as practical before unpacking.

• Hanging Method

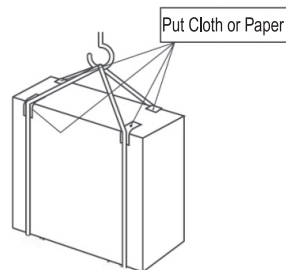
When hanging the unit, ensure a balance of the unit, check safety and lift up smoothly.

- (1) Do not remove any packing materials.
- (2) Hang the unit under packing condition with two ropes, as shown in Fig. blow.



• Hanging

If have no package to move, please protect with cloth or paper.



Select the installation locations

Before choosing the installation site, obtain user approval.

- Where it is not exposed to strong wind.
- Where airflow is good and clean.
- Where it is not exposed to rain and direct sunshine.
- Where neighbors are not annoyed by operation sound or hot air.
- Where rigid wall or support is available to prevent the increase of operation sound or vibration.
- Where there is no risk of combustible gas leakage.
- Where it is at least 10ft. (3m) away from the antenna of TV set or radio. An amplifier may be required for the affected device.
- Install the unit horizontally.
- Please install it in an area not affected by snowfall or blowing snow. In areas with heavy snow, please install a canopy, a pedestal and/or some baffle boards.

⚠ CAUTION:

Avoid the following places for installation where air conditioner trouble is liable to occur.

- Where there is much machine oil.
- Salty places such as seaside.
- Where sulfide gas is generated such as a hot spring.
- Where there is high-frequency or wireless equipment.

Note:

When operating the air conditioner in low outside temperature, be sure to follow the instruction describe below.

- Never install the outdoor unit in a place where its air inlet/outlet side may be exposed directly to wind.
- To prevent exposure to wind, install the outdoor unit with its air inlet side facing the wall.
- To prevent exposure to wind, it is recommended to install a baffle board on the air outlet side of the outdoor unit.

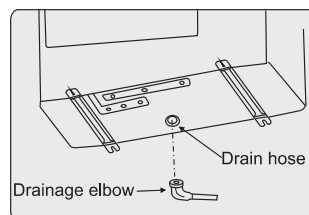
Install drainage elbow and drain hose

Install Drainage Elbow and Drain Hose

•The condensate water may drains from the outdoor unit when the unit operates in heating mode. In order to avoid disturbing neighbors also to protect the environment, it is necessary to install a drainage elbow and a drain hose to drain out the condensate water.

•Please do the drainage work before the indoor unit and outdoor unit are connected. Otherwise, it will be difficult to install drainage elbow after the machine becomes immovable.)

•Connect the drain hose [field-supplied, inside diameter: 5/8in.(15mm)] as shown in the figure for drainage.



Note:

Do not use the drain elbow in the cold region. Drain may freeze to stop the fan runs.

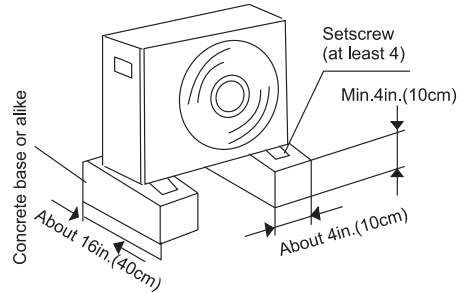
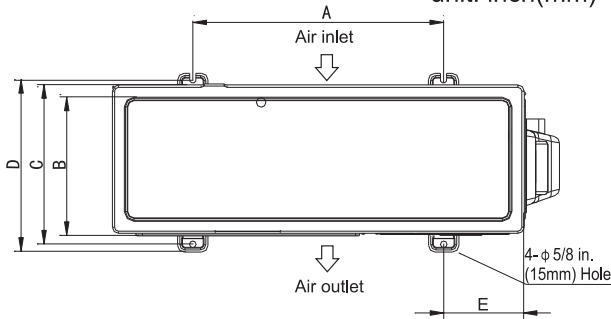
Installation instructions

Outdoor Installation

⚠ NOTE:

- Be sure to fix the unit's legs with bolts when installing it.
- Be sure to install the unit firmly to ensure that it does not fall by earthquake or gust.
- The anchor bolts, nuts and washers for the installation are user prepared.

unit: inch(mm)



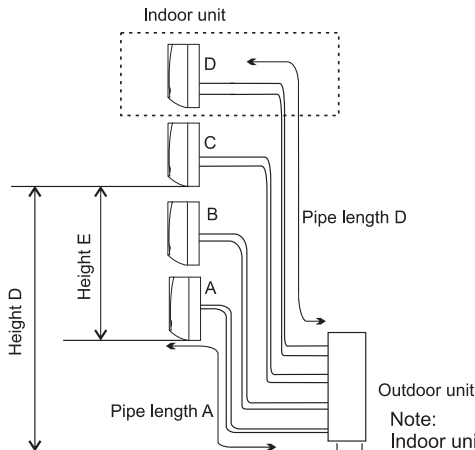
Cooling Capacity (Btu/h)	A	B	C	D	E
24K/36K	22-7/8 (580)	13-3/8 (340)	14-15/16 (380)	16-1/4 (414)	7-1/4 (185)

Refrigerant Piping

1. Piping Requirement

Model	Outer Diameter of Pipe (in./mm)	
	Gas	Liquid
24K/36K	3/8 (9.52)	1/4 (6.35)

Refrigerant piping is short, the better. So the connecting pipe should be as short as possible.



Model		24K	36K
Max. Length Between Indoor Unit and Outdoor Unit	ft./m	A ≤ 65.6(20) B ≤ 65.6(20) C ≤ 65.6(20)	A ≤ 65.6(20) B ≤ 65.6(20) C ≤ 65.6(20) D ≤ 65.6(20)
	ft./m	A+B+C ≤ 197(60)	A+B+C+D ≤ 246(75)
	ft./m	D ≤ 49(15)	D ≤ 49(15)
Max. Height Between Indoor Units	ft./m	E ≤ 25(7.5)	E ≤ 25(7.5)

Note:
Indoor unit D in the circle is only valid for 36K model.

Refrigerant Additional Charge

The unit has been filled with refrigerant, but if L (total pipe length) exceeds standard length, additional refrigerant (R410A) change is required.

For 24K: Additional refrigerant charge=[L-75ft (22.8m)] × 0.807oz/5ft (15g/m)

For 36K: Additional refrigerant charge=[L-98(30m)] × 0.807oz/5ft (15g/m)

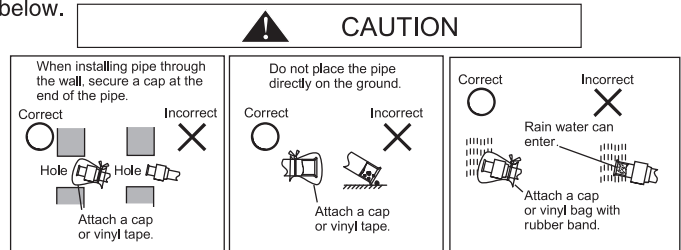
2. Piping Material

- (1) Prepare locally-supplied copper pipes.
- (2) Select clean copper pipes. Make sure there is no dust and moisture inside of the pipes. Blow the inside of the pipes with nitrogen or dry air, to remove any dust or foreign materials before connecting pipes.

Installation instructions

(3) Piping thickness and material use the pipe as below.

Diameter [inch(mm)]	Thickness [inch(mm)]
1/4(φ 6.35)	1/32(0.8)
3/8(φ 9.52)	1/32(0.8)
1/2(φ 12.7)	1/32(0.8)
5/8(φ 15.88)	1/32(1.0)



3. Processing of Refrigerant Piping

(1) Pipe cutting

- Cut the copper pipe correctly with pipe cutter.

(2) Burrs removal

- Completely remove all burrs from the cut cross section of the pipe.
- Put the end of the copper pipe downward to prevent burrs from dropping in the pipe.

(3) Putting nut on

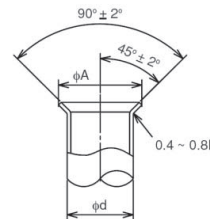
- Remove flare nuts attached to indoor and outdoor units, then put them on pipe having completed burr removal. (Not possible to put them on after flaring work).
- Flare nut for pipe depending on the diameter of pipe.

(4) Flaring work

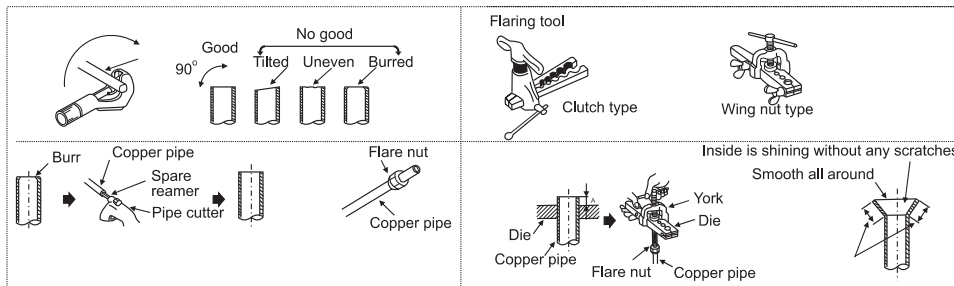
- Perform flaring work using flaring tool as shown below.

(5) Check

- Compare the flared work with the figure below.
- If flare is noted to be defective, cut off the flared section and perform flaring work again.



inch(mm)	
Diameter φd	A ⁺⁰ _{-0.4}
1/4(6.35)	11/32(9.1)
3/8(9.52)	1/2(13.2)
1/2(12.7)	10/16(16.6)
5/8(15.88)	3/4(19.7)



4. Piping Connection

(1) Confirm that the valve is closed.

(2) Connect the indoor unit and the outdoor unit with field-supplied refrigerant piping. Suspend the refrigerant piping at certain points and prevent the refrigerant piping from touching the weak part of the building such as wall, ceiling, etc.

(If touched, abnormal sound may occur due to the vibration of the piping. Pay special attention in case of short piping length.)

(3) Tightening the flare nut use two spanners like figure right.

(4) Apply the refrigerant oil (field-supply) thinly at the seat surface of the flare nut and pipe before connecting and tightening. And when tightening the flare nut, use two spanners.

(5) Outdoor refrigerant piping should connect with stop valve.



Double Spanner Work

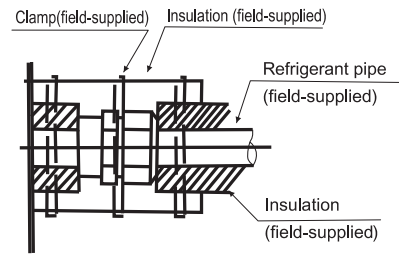
Pipe Size [inch(mm)]	Torque
1/4(φ 6.35)	14.75ft-lb (20N·m)
3/8(φ 9.52)	29.5ft-lb (40N·m)
1/2(φ 12.7)	44.25ft-lb (60N·m)
5/8(φ 15.88)	59ft-lb (80N·m)

Tightening Torque for Flare Nut

Installation instructions

(6) After finishing connecting the refrigerant pipes, keep it warm with the insulation material like figure right.




- For outdoor unit side, surely insulate every piping including valves.
- Cover piping joints with pipe cover.
- Using piping tape, apply taping starting from the entry of outdoor unit. Fix the end of piping tape with adhesive tape.
- Fix the end of piping tape with adhesive tape.
- When piping has to be arranged through above ceiling, closet or area where temperature and humidity are high, wind additional commercially sold insulation for prevention of condensation.

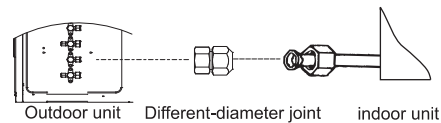


Piping insulation procedure



If the diameter of connection pipe does not match the port size of outdoor unit, select proper different-diameter joints in the accessory according to the following table.

Name	Qty	Purpose
	1	Change pipe diameter from 1/4(6.35) to 3/8(9.52)
	1	Change pipe diameter from 3/8(9.52) to 5/8(15.88)
	1	Change pipe diameter from 3/8(9.52) to 1/2(12.7) mm



Connect pipes using different-diameter joint

5. Air Tight Test

- Air Tight Check -Do use Nitrogen.

Connect the gauge manifold using charging hoses with a nitrogen cylinder to the check joints of the liquid line and the gas line stop valves. Perform the air-tight test.

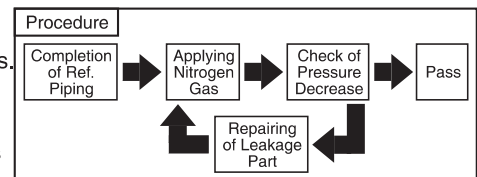
Don't open the gas line stop valves.

Apply nitrogen gas pressure of 550psi (3.8MPa).

Check for any gas leakage at the flare nut connections, or brazed parts by gas leak detector or foaming agent.

Gas pressure doesn't decrease is OK.

After the air tight test, release nitrogen gas.

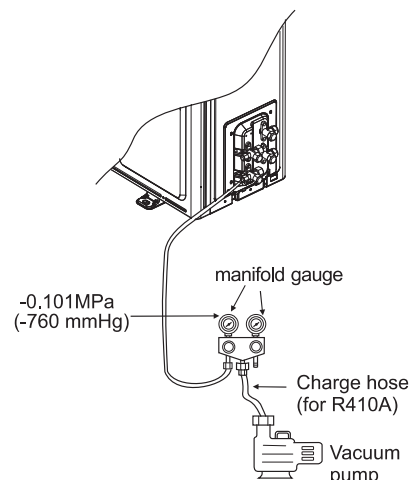


Air tight procedure

6. Vacuum Pumping and charge refrigerant

- Vacuum Pumping

- (1) Remove the service port cap of the stop valve on the gas pipe side of the outdoor unit.
- (2) Connect the manifold gauge and vacuum pump to the service port of the stop valve on the gas pipe side of the outdoor unit.
- (3) Run the vacuum pump. (Work for more than 15 minutes.)
- (4) Check the vacuum with the gauge manifold valve, then close the gauge manifold valve and stop the vacuum pump.
- (5) Leave it as is for one or two minutes. Make sure the pointer of the manifold gauge remains in the same position. Confirm that the pressure gauge shows -14.7 psi(-0.101MPa or -760mmHg).
- (6) Remove the manifold gauge quickly from the service port of the stop valve.
- (7) After refrigerant pipes are connected and evacuated, fully open all stop valves on both sides of gas pipe and liquid pipe.
- (8) Open adjusted valve to add refrigerant (must be refrigerant is liquid).
- (9) Tighten the cap to the service port .
- (10) Retighten the cap.
- (11) Leak test foam with halogen leak detector to check the flare nut and brazing Carolina Department leaks. Use foam that not generate ammonia (NH₃) in the reaction.

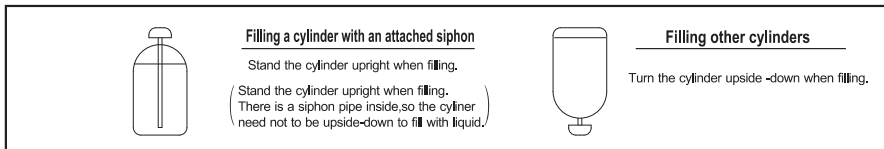


Installation instructions



CAUTION

- Each pipelines needs to be evacuated individually.
 - An excess or a shortage of refrigerant is the main cause of trouble to the unit. Charge the correct refrigerant quantity according to the description in the manual.
 - Check for refrigerant leakage in detail. If a large refrigerant leakage occurs, it will cause difficulty with breathing or harmful gases would occur if a fire was being used in the room.
- Additional refrigerant charge
The unit has been filled with refrigerant.
Please according "Piping Requirement" to calculate additional charge.
After vacuum pump procedure has been finished, first exhaust air from charge hose, then open valves, charge refrigerant as "liquid" type through Liquid stop valve.
At the end, please close valves and record the refrigerant charging quantity.



Wiring



WARNING

- Turn OFF the main power switch to the indoor unit and the outdoor unit and wait for more than 3 minutes before electrical wiring work or a periodical check is performed.
- Check to ensure that the indoor fan and the outdoor fan have stopped before electrical wiring work or a periodical check is performed.
- Protect the wires, electrical parts, etc. from rats or other small animals. If not protected, rats may gnaw at unprotected parts and at the worst, a fire will occur.
- Avoid the wirings from touching the refrigerant pipes, plate edges and electrical parts inside the unit.
If not do, the wires will be damaged and at the worst, a fire will occur.
- Install an ELB (Electric Leakage Break) in the power source.
If ELB is not used, it will cause electric shock or fire at the worst.
- This unit uses an inverter, which means that it must be used an earth leak detector capable handling harmonics in order to prevent malfunctioning of the earth leak detector itself.
- Do not use intermediate connection wires, stranded wires (see **<Attentions when Connect the power supply wiring>**), extension cables or control line connection, because the use of these wires may cause fever, electric shock or fire.
- The tightening torque of each screw shall be as follows.
M4: 0.74 to 0.96 ft-lb (1.0 to 1.3 N-m)
M5: 1.5 to 1.8 ft-lb (2.0 to 2.5 N-m)
M6: 3 to 3.7 ft-lb (4.0 to 5.0 N-m)
M8: 6.6 to 8.1 ft-lb (9.0 to 11.0 N-m)
M10: 13.3 to 17 ft-lb (18.0 to 23.0 N-m)
Keep the above tightening torque when wiring work.



CAUTION

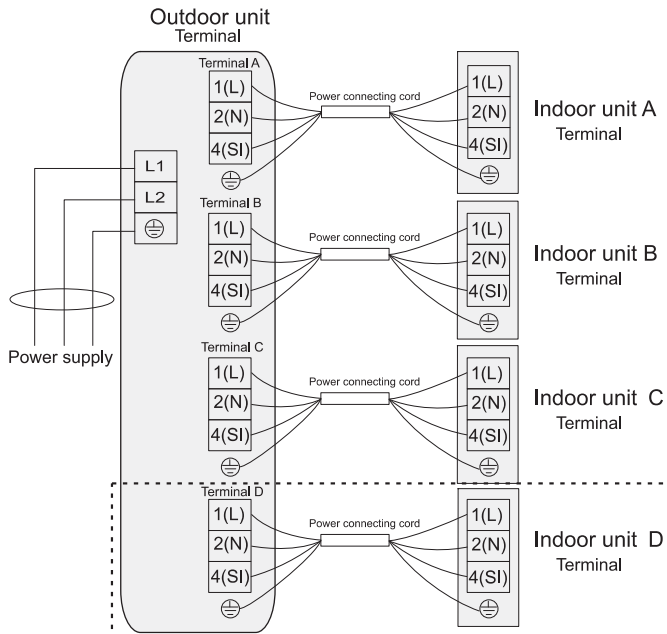
- With tape material along the wire wrapped, sealed wiring holes, prevent the condensed water and insects.
 - Tightly secure the power source wiring using the cord clamp inside the unit.
- Note: Fix the rubber bushes with adhesive when conduit tubes to the outdoor unit are not used.

Installation instructions

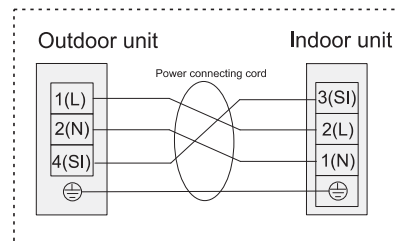
General Check

- (1) Make sure that the field-selected electrical components (main power switches, circuit breakers, wires, conduit connectors and wire terminals) have been properly selected according to the electrical data.
Make sure that the components comply with National Electrical Code (NEC).
- (2) Check to ensure that the voltage of power supply is within +10% of nominal voltage and earth phase is contained in the power supply wires. If not, electrical parts will be damaged.
- (3) Check to ensure that the capacity of power supply is enough.
If not, the compressor will be not able to operate cause of voltage drop abnormally at starting.
- (4) Check to ensure that the earth wire is connected.
- (5) Install a main switch ,multi-pole main switch with a space of 1/8 in. (3.5mm) or more, single phase main switch with a space of 1/8 in. (3.0mm) or more between each phase. Please use the special three-phase power switch for 3-Phase product.
- (6) Check to ensure that the electrical resistance is more than 2 MΩ, by measuring the resistance between ground and the terminal of the electrical parts.
If not, do not operate the system until the electrical leakage is found and repaired.

Electrical wiring diagram



Note: For some indoor units



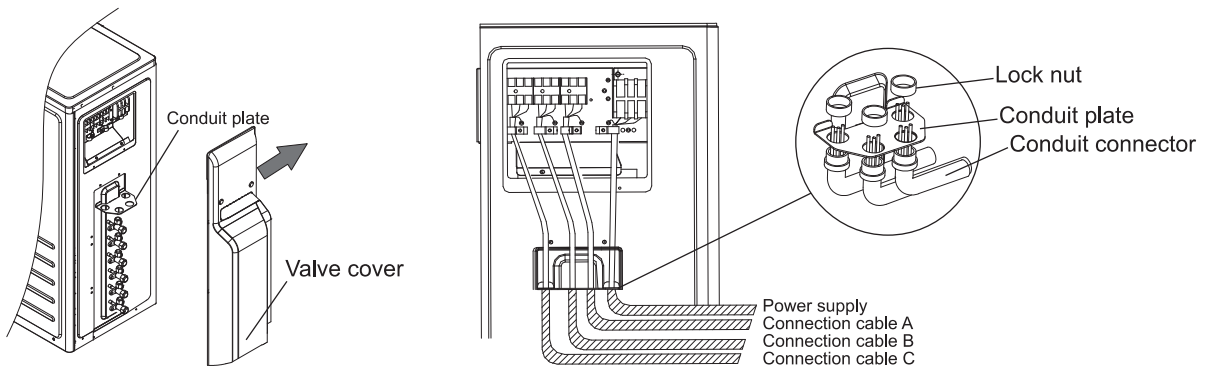
Note:
Terminal in the circle is only valid for 36K model.

Installation instructions

Wires connect steps:

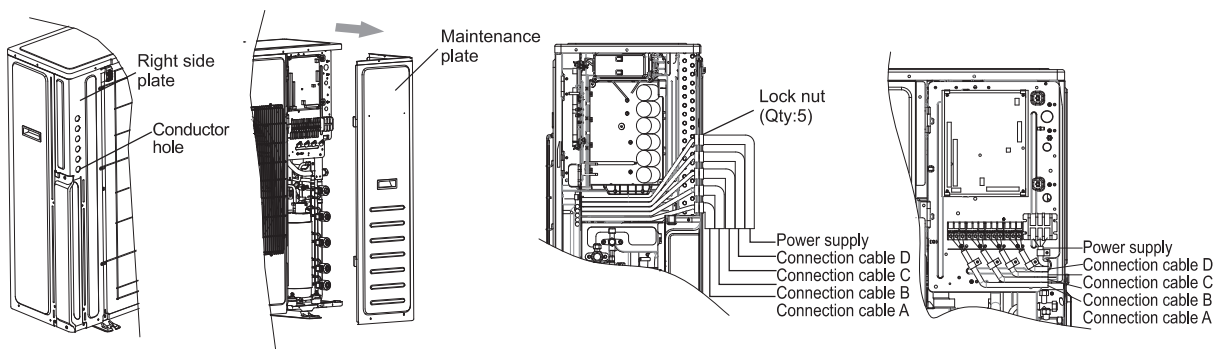
24K

- (1) Valve cover removal
Remove the two mounting screws.
Remove the valve cover as shown by the arrow mark.
- (2) Fasten the power supply cable and the connection cable to the conduit holder using the lock nut.
- (3) Connect the power supply cable and the connection cable to terminal.
- (4) Fasten the power supply cable and the connection cable with the cable clamp.
- (5) Be sure to seal the holes when applying the putty.
Place the cables side to side. (Do not overlap the cables.)
- (6) Put the service cover and valve cover back after completion of the work.



36K

- (1) Knock off 5 conductor holes on right side plate gently using hammer etc..
- (2) Unscrew the screws on maintenance plate, and remove it as shown by the arrow mark.
- (3) Fasten the power supply cable and the connection cable through conductor hole using the lock nut.
- (4) Connect the power supply cable and the connection cable to terminal.
- (5) Fasten the power supply cable and the connection cable with the cable clamp.
- (6) Be sure to seal the holes when applying the putty.
Place the cables side to side. (Do not overlap the cables.)
- (7) Put the maintenance plate back after completion of the work.



Installation instructions

Electrical Data

Model Capacity	Power Supply	ELB		Power Source Cable Size	Transmitting Cable Size	Circuit Breaker(A)
		Nominal Current (A)	Nominal Sensitive Current (mA)			
24K	208/230V ~, 60Hz	30	30	12 AWG 2 cable+Ground	16 AWG 3 cable+Ground	30
36K	208/230V ~, 60Hz	40	30	10 AWG 2 cable+Ground	16 AWG 3 cable+Ground	40

Max. Running Current (A): REFER TO NAMEPLATE

Note:

- (1) Follow local codes and regulations when select field wires, and all the above are the minimum wire size.
- (2) When transmitting cable length is more than 49ft. (15 m), a larger wire size should be selected.
- (3) Install main switch and ELB for each system separately. Select the high response type ELB that is acted within 0.1second.

<Attentions when Connect the power supply wiring>

1. When connecting the terminal block using stranded wire, make sure to use the round crimp-style terminal for connection to the power supply terminal block. Place the round crimp-style terminals on the wires up to the covered part and secure in place.
2. When connecting the terminal block using a single core wire, be sure to perform curing.

The diagram illustrates two connection methods. The upper part shows a 'Stranded wire' with a 'covered part' and a 'Round crimp-style terminal' being inserted into a terminal. The lower part shows a 'Single core wire' being inserted into a terminal.

Installation instructions

Trial Run

Trial run should be performed after refrigerant piping, drain, wiring, etc. have been finished.



The air-conditioner is provided with a crankcase heater, check to ensure that the switch on the main power source has been ON for more than 6 hours ahead of power on preheating, otherwise it might damage the compressor!

Do not operate the system until all the check points have been cleared.

- (A) Check to ensure that the stop valves of the outdoor unit are fully opened.
- (B) Check to ensure the electric wires has been fully connected.
- (C) Check to ensure that the electrical resistance is more than 2 MΩ, by measuring the resistance between ground and the terminal of the electrical parts. If not, do not operate the system until the electrical leakage is found and repaired.

Trial run function identification

Operate remote controller turn ON, then proceed trial run.

Pay attention to the following items while the system is running.

Do not touch any of the parts by hand at the discharge gas side, since the compressor chamber and the pipes at the discharge side are heated higher than 194°F (90°C).

- Turn off the power after trial run is finished.
Installation of the appliance is generally finished after the above operations are done. If you still have any trouble, please contact local technical service center of our company for further information.



INSTRUCCIONES DE INSTALACIÓN Y USO

AMSCI4H4S24

AMSCI4H4S36

Muchas gracias por comprar este aire acondicionado. Por favor lea las instrucciones de instalación y uso cuidadosamente antes de instalar y utilizar este dispositivo Y conserve este manual para consultas futuras.

Contenidos

Instrucciones de seguridad	1
Diagrama del flujo de refrigerante.....	3
Instrucciones de instalación.....	4
Diagrama de instalación	4
Transporte y manejo antes de la instalación	5
Seleccione las ubicaciones para la instalación.....	5
Instalación del codo de desagüe y manguera de desagüe.....	5
Instalación externa	6
Tubería refrigerante	6
Instalación eléctrica	9
Prueba	13

NOTA

- Este aire acondicionado con bomba de calor ha sido diseñado para las siguientes temperaturas. Opere el aire acondicionado con bomba de calor dentro de este rango.

Modo	Temperatura de funcionamiento externa	
	Máxima	Mínima
Funcionamiento "Cooling" [Frio]	115°F(46°C)	14°F(-10°C)
Funcionamiento "Heating" [Calor]	75°F(24°C)	-13°F(-25°C)

- Condiciones de almacenamiento: Temperatura -13~140°F (-25~60°C)
Humedad 30%~80%

Medidas de seguridad

1. Este aire acondicionado utiliza el nuevo refrigerante HFC (R410A).
2. Ya que la presión máx. de trabajo es 550psig (3.8MPa), algunas de las herramientas para realizar el mantenimiento, la instalación y la tubería son especiales.
3. Este aire acondicionado utiliza la fuente de alimentación: 208-230V ~, 60Hz.

Lea cuidadosamente estas **MEDIDAS DE SEGURIDAD** para garantizar una correcta instalación.

- Asegúrese de utilizar un circuito eléctrico exclusivo y de no poner otras cargas en la fuente de alimentación.
 - Asegúrese de leer cuidadosamente estas MEDIDAS DE SEGURIDAD antes de realizar la instalación.
 - Asegúrese de seguir las MEDIDAS DE SEGURIDAD del manual de instalación ya que el mismo contiene cuestiones importantes sobre la seguridad. A continuación, se brindan las definiciones para identificar los niveles de peligros con sus respectivos símbolos de seguridad.
- ⚠ **ADVERTENCIA:** Peligros o prácticas inseguras que PODRÍAN resultar en lesiones graves o la muerte.
- ⚠ **PRECAUCIÓN:** Peligros o prácticas inseguras que PODRÍAN resultar en lesiones menores o dañar el producto o la propiedad.
- Guarde el manual de la unidad interna y externa para futuras referencias.



- Recomendamos que un técnico calificado instale correctamente este aire acondicionado conforme a las instrucciones de instalación brindadas con la unidad. La instalación incompleta podría causar daños por incendios, descargas eléctricas, fugas o goteo de agua.
- Un electricista calificado debe realizar la instalación eléctrica.
- Instale el aire acondicionado sobre una base sólida que pueda soportar el peso de la unidad. Una base insuficiente o la instalación incompleta podrían causar lesiones si la unidad se cae de la base.
- Utilice el tipo de cable especificado para las conexiones eléctricas seguras entre las unidades interna y externa. Y conectado firmemente a la parte de conexión de las terminales del cableado para que la tensión de los cables no se aplique en dichas partes. La conexión incompleta puede causar incendios.
- Para la conexión eléctrica, utilice un cable lo suficientemente largo para cubrir toda la distancia sin conexión. No conecte múltiples dispositivos en la misma fuente de alimentación de CA. De lo contrario, puede exceder la corriente admisible y causar incendios o descargas eléctricas debido al mal contacto y al aislamiento insuficiente.
- Después de completar la instalación, asegúrese de que no haya fugas del refrigerante. Si el gas refrigerante se filtra en el interior y el calefactor, o la llama de cocina, lo toca, generará sustancias nocivas.
- Realice la instalación de manera segura siguiendo el manual de instalación. La instalación incompleta podría causar lesiones debido a los incendios, descargas eléctricas, la caída de la unidad o fugas de agua.
- Conforme a las instrucciones de instalación para el trabajo eléctrico, asegúrese de utilizar una línea exclusiva.
- Si la capacidad del circuito de suministro eléctrico o el trabajo eléctrico no están en orden, se pueden producir incendios o descargas eléctricas.
- Añada de manera segura el cobertor eléctrico en la unidad interna y el panel de servicio en la unidad externa.
- Si el cobertor eléctrico en la unidad interna o el panel de servicio de la unidad externa no están añadidos de forma segura, podrían causar incendios o descargas eléctricas debido al polvo, agua, etc.
- Asegúrese de cortar el suministro eléctrico principal antes de realizar la instalación del PCB electrónico interno o la instalación eléctrica. De lo contrario, causará descargas eléctricas.
- El dispositivo debe cumplir con las disposiciones estatales para la instalación eléctrica.
- Debe considerar la protección de la ubicación para la instalación de la máquina interna; evite que las personas o animales pequeños estén en contacto con los componentes eléctricos. Mantenga el entorno de la unidad externa limpio y ordenado.
- Cuando instala o reubica la unidad, asegúrese de que ninguna otra sustancia que no sea el refrigerante específico (R410A) ingrese en el circuito refrigerante. Cualquier presencia de sustancia extraña, como el aire, puede causar un aumento anormal de la presión o una explosión.

Medidas de seguridad

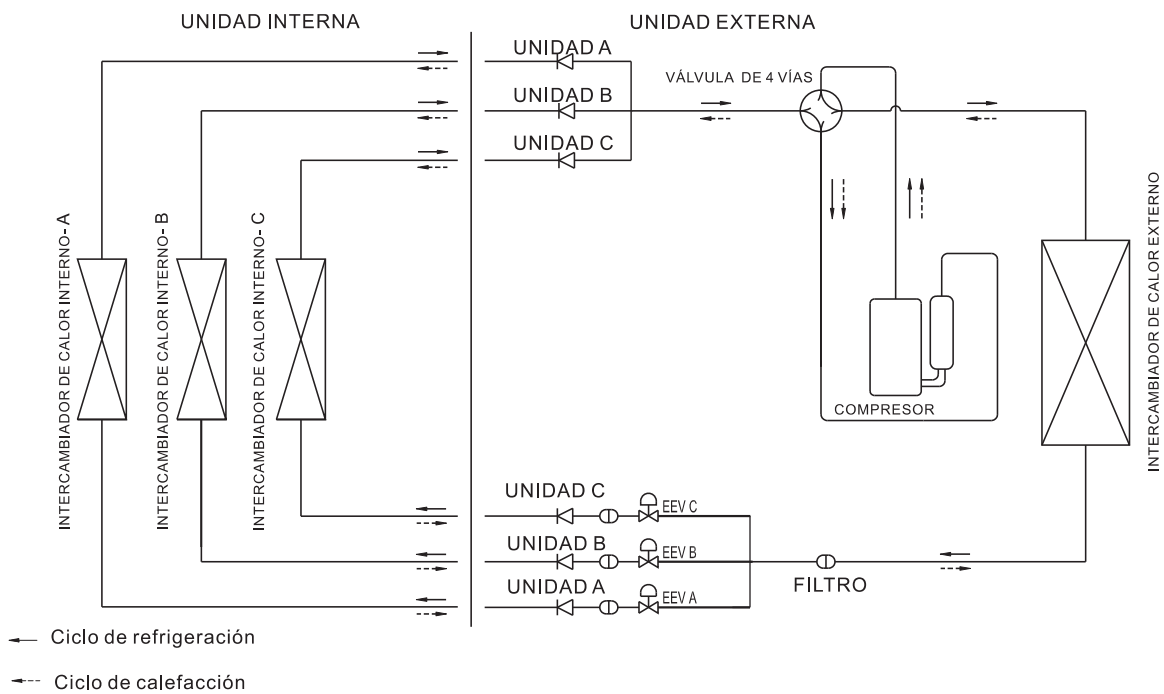


- Realice la conexión a tierra. No conecte el cable a tierra a la tubería de gas, de agua, al pararrayos o al cable a tierra del teléfono. La conexión a tierra defectuosa podría causar descargas eléctricas.
- No instale la unidad en un lugar donde haya fugas de gas inflamable. Si hay fugas de gas y se acumula al rededor de la unidad, podría causar una explosión.
- Ajuste la tuerca acampanada con una llave dinamométrica como se especifica en este manual. Cuando se ajusta demasiado, la tuerca acampanada se puede romper después de un largo período de tiempo y puede causar fugas del refrigerante.
- Instale un interruptor diferencial dependiendo del lugar de instalación (donde esté húmedo). Si no se instala el interruptor diferencial, se pueden producir descargas eléctricas.
- Realice el trabajo de desagüe/tubería de manera segura siguiendo el manual de instalación.
- Si hay un defecto en el trabajo de desagüe/tubería, el agua podría gotear desde la unidad y podría mojar y dañar los artículos del hogar.

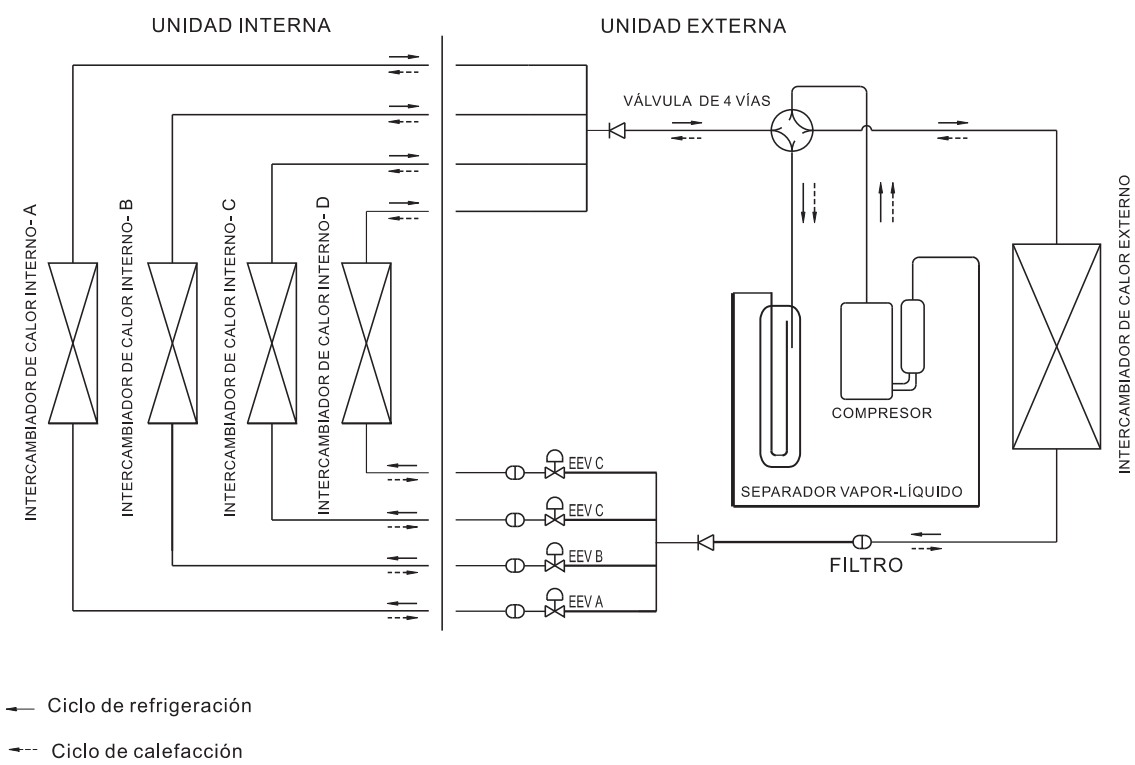
Instrucciones de seguridad

- No deje que el aire ingrese en el sistema de refrigeración ni que se descargue el refrigerante cuando mueve el aire acondicionado.
- Las instrucciones de instalación para electrodomésticos que están destinados a estar permanentemente conectados a un cableado fijo, y que tienen una corriente residual que pueda exceder los 10 mA, deben indicar que se recomienda la instalación de un dispositivo diferencial residual (DDR) con una corriente de funcionamiento residual nominal que no exceda los 30 mA.
- Este electrodoméstico no está destinado para ser utilizado por personas (incluso niños) con capacidades físicas, sensoriales y mentales reducidas o con falta de experiencia y conocimiento a menos que hayan sido supervisados o instruidos sobre el uso del electrodoméstico por una persona responsable por su seguridad.
- Se debe supervisar a los niños para asegurarse de que no jueguen con el electrodoméstico.
- Si el electrodoméstico es de cableado fijo, debe estar equipado con los medios de desconexión del suministro eléctrico contando con una separación de contacto en todos los polos para brindar la desconexión total bajo condiciones de sobretensión de categoría III; todos estos medios deben estar incorporados en el cableado fijo conforme a las reglas para la instalación eléctrica.
- Para evitar peligros, el fabricante, el agente de servicio o una persona calificada debe reemplazar el cable de alimentación si este se daña.
- Se debe instalar el electrodoméstico conforme a las normas eléctricas nacionales.
- Sólo se debe realizar el mantenimiento como lo recomienda el fabricante del equipo.
- A continuación se detalla el método de conexión del electrodoméstico para el suministro eléctrico y la interconexión de los componentes separados.
A continuación se detalla el cable de alimentación y el diagrama del cableado con una indicación clara de las conexiones e instalación eléctrica para los dispositivos de control externos.
Se debe utilizar un cable del tipo H07RN-F o uno del tipo equivalente para la conexión e interconexión entre la unidad externa y la unidad interna.
A continuación se detalla el tamaño del cable.
- Para evitar un peligro debido al restablecimiento involuntario de la desconexión térmica, no se debe suministrar el electrodoméstico a través de un dispositivo de conmutación externa, como un temporizador, o conectado a un circuito que se conecte o desconecte regularmente.
- Es necesario permitir la desconexión del electrodoméstico desde el suministro después de la instalación. La desconexión se puede lograr al incorporar un interruptor en el cableado fijo conforme a las reglas para la instalación eléctrica. Durante el mantenimiento y cuando se reemplaza una pieza, asegúrese de desconectar el electrodoméstico del suministro eléctrico. Si no se contempla la desconexión, se debe brindar una desconexión con un sistema de bloqueo en una posición aislada.
- A continuación se detalla la información de las dimensiones del espacio necesario para la correcta instalación del electrodoméstico, incluyendo las distancias mínimas permisibles a las estructuras adyacentes.
- A continuación se detallan las instrucciones sobre la carga adicional del refrigerante.

Diagrama del flujo de refrigerante



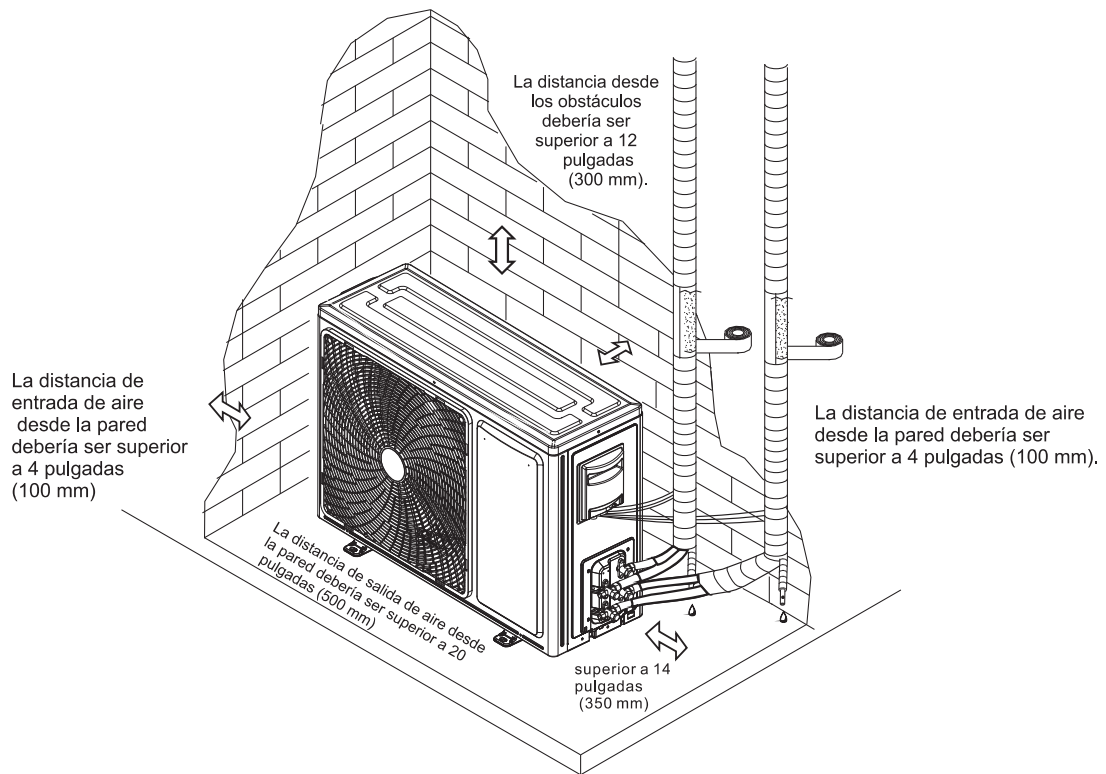
24K



36K

Instrucciones de instalación

Diagrama de instalación



unidad externa



- Las imágenes en este manual son sólo una simple presentación de la unidad, la misma puede no coincidir con la apariencia externa de la unidad que usted compró.
- Sólo el personal autorizado debe realizar la instalación siguiendo las normas nacionales de electricidad.

Instrucciones de instalación

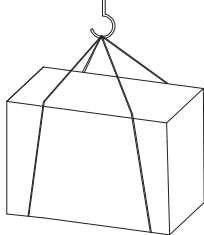
Transporte y manejo antes de la instalación

Lleve el producto lo más cerca posible del lugar de instalación antes de desembalarlo.

• Método para colgar

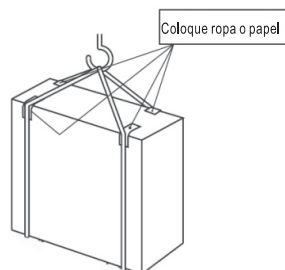
Al momento de colgar la unidad, asegúrese de balancear la unidad, compruebe la seguridad y levante suavemente

- (1) No quite ningún material de empaque.
- (2) Cuelgue la unidad con el material de embalaje y dos sogas como se muestra en la siguiente imagen.



• Suspensión

Si no tiene el material de embalaje, protéjala con ropa o papel.



Seleccione las ubicaciones para la instalación

Antes de elegir el lugar para la instalación, obtenga la aprobación del usuario.

- Donde no esté expuesto a vientos fuertes.
- Donde el flujo de aire sea bueno y limpio.
- Donde no esté expuesto a la lluvia ni a luz solar.
- Donde el sonido de funcionamiento o el aire caliente no moleste a los vecinos.
- Donde haya una pared rígida o un soporte disponible para evitar que aumente el sonido de funcionamiento o la vibración.
- Donde no haya riesgo de fugas del gas.
- Donde esté al menos a 10 pies (3 m) lejos de la antena de televisión o radio. Se puede requerir un amplificador para los dispositivos afectados.
- Instale la unidad de manera horizontal.
- Instálela en un área que no esté afectada por la caída de la nieve o la nieve que vuela. En áreas con mucha nieve, instale una cubierta, una base y/o deflector.

⚠ PRECAUCIÓN:

Para la instalación, evite los siguientes lugares donde el aire acondicionado pueda llegar a tener problemas.

- Donde haya mucho aceite de máquinas.
- Lugares con salitre, como la costa.
- Donde se genere gas sulfuro, como en fuentes termales.
- Donde haya equipos de alta frecuencia o inalámbricos.

Nota:

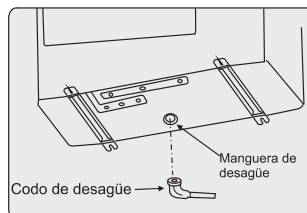
Cuando el aire acondicionado funciona en temperaturas exteriores bajas, asegúrese de seguir las instrucciones mencionadas a continuación.

- Nunca instale la unidad externa en un lugar donde el lado de entrada/salida del aire esté expuesto directamente al viento.
- Para evitar la exposición al viento, instale la unidad externa con el lado de entrada de aire enfrentando la pared.
- Para evitar la exposición del viento, se recomienda instalar un deflector en el lado de la salida del aire de la unidad externa.

Instalación del codo de desagüe y manguera de desagüe

Instalación del codo de desagüe y manguera de desagüe

- El agua condensada puede drenar desde la unidad externa cuando la unidad funciona en modo de calefacción. Para evitar molestar a los vecinos, proteja también el entorno; es necesario instalar un codo de desagüe y una manguera de desagüe para drenar el agua condensada.
- Realice el trabajo del desagüe antes de conectar la unidad interna y la unidad externa. De lo contrario, será difícil instalar el codo de desagüe después de que la máquina no se pueda mover.
- Conecte la manguera de desagüe [suministrada localmente, diámetro interno: 5/8 pulgadas (15 mm)] como se muestra en la imagen para el desagüe.



Nota:

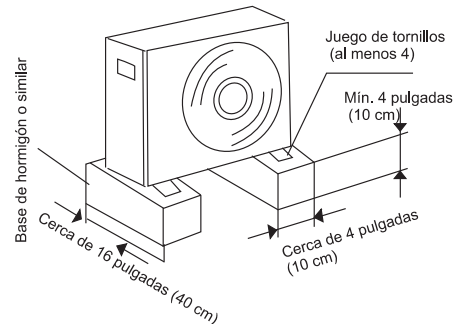
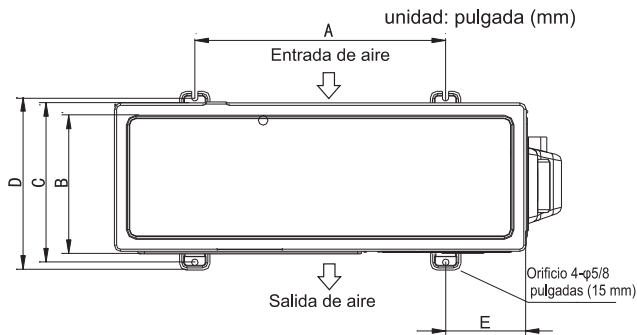
No utilice el codo de desagüe en áreas frías. El desagüe se puede congelar y detener el funcionamiento del ventilador.

Instrucciones de instalación

Instalación externa

⚠ NOTA:

- Asegúrese de fijar las patas de la unidad con pernos al momento de instalarlas.
- Asegúrese de instalar la unidad firmemente para garantizar que no se caiga en caso de terremotos o ráfagas de viento.
- El usuario tiene que preparar los pernos de anclaje, las tuercas y arandelas para la instalación.



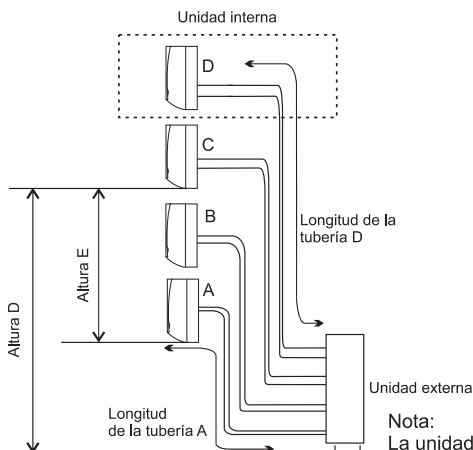
Capacidad de enfriamiento (Btu/h)	A	B	C	D	E
24K/36K	22-7/8 (580)	13-3/8 (340)	14-15/16 (380)	16-1/4 (414)	7-1/4 (185)

Tubería refrigerante

1. Requisitos para la tubería

Modelo	Diámetro externo de la tubería (pulgada/mm)	
	Gas	Líquido
24K/36K	3/8 (9.52)	1/4 (6.35)

Cuanto más corta la tubería del refrigerante, mejor. Por lo tanto, la tubería de conexión debería ser lo más corta posible.



Modelo		24K	36K
Longitud máx. entre la unidad interna y la unidad externa	pies/m	A ≤ 65.6(20)	A ≤ 65.6(20)
		B ≤ 65.6(20)	B ≤ 65.6(20)
		C ≤ 65.6(20)	C ≤ 65.6(20)
Longitud máx. entre la unidad interna y la unidad externa (Total)	pies/m	A+B+C ≤ 197(60)	A+B+C+D ≤ 246(75)
Altura máx. entre la unidad interna y la unidad externa	pies/m	D ≤ 49(15)	D ≤ 49(15)
Altura máx. entre las unidades internas	pies/m	E ≤ 25(7.5)	E ≤ 25(7.5)

Nota:
La unidad del recuadro, unidad interna D, es sólo válida para modelos de 36K.

Carga adicional del refrigerante

La unidad se llenó con refrigerante pero si L (longitud total de la tubería) excede la longitud estándar, se requiere una carga adicional de refrigerante (R410A).

Para 24K: Carga adicional de refrigerante = $[L - 75 \text{pies (22,8 m)}] \times 0,807 \text{oz/5pies (15 g/m)}$

Para 36K: Carga adicional de refrigerante = $[L - 98 \text{pies (30m)}] \times 0,807 \text{oz/5pies (15 g/m)}$

2. Material de la tubería

(1) Prepare la tubería de cobre suministrada localmente.

(2) Seleccione tubos de cobre limpios. Asegúrese de que no haya polvo ni humedad dentro de la tubería. Sople el interior de la tubería con nitrógeno o aire seco para quitar el polvo o cualquier material extraño antes de conectar la tubería.

Instrucciones de instalación

- (3) Espesor de la tubería y material de la tubería como se muestra a continuación.

Diámetro: [pulgadas (mm)]	Espesor: [pulgadas (mm)]
1/4(Φ 6.35)	1/32(0.8)
3/8(Φ 9.52)	1/32(0.8)
1/2(Φ 12.7)	1/32(0.8)
5/8(Φ 15.88)	1/32(1.0)

PRECAUCIÓN



3. Procedimiento de la tubería refrigerante

(1) Corte de la tubería

- Corte la tubería de cobre correctamente con un cortatubos.

(2) Eliminación de rebabas

- Quite completamente todas las rebabas de la sección de corte transversal de la tubería.
- Coloque el extremo de la tubería de cobre hacia abajo para evitar que las rebabas caigan en la tubería.

(3) Colocación de la tuerca

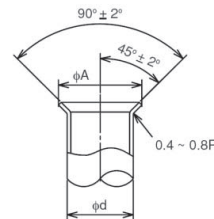
- Quite las tuercas acampanadas añadidas a las unidades interna y externa luego, colóquelas en la tubería sin rebabas. (No es posible colocarlas después del trabajo de abocardado).
- La tuerca acampanada para la tubería depende del diámetro de la tubería.

(4) Trabajo de abocardado

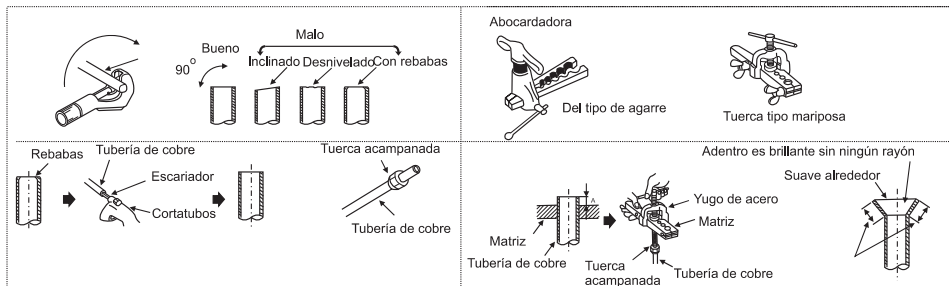
- Realice el trabajo de abocardado utilizando la abocardadora como se muestra a continuación.

(5) Verificación

- Compare el trabajo de abocardado con la siguiente imagen.
- Si el abocardado está defectuoso, corte la sección acampanada y realice el trabajo nuevamente.



Diámetro Φd	pulgada (mm) A ⁺⁰ _{-0.4}
1/4(6.35)	11/32(9.1)
3/8(9.52)	1/2(13.2)
1/2(12.7)	10/16(16.6)
5/8(15.88)	3/4(19.7)



4. Conexión de la tubería

(1) Confirme que la válvula esté cerrada.

(2) Conecte la unidad interna y la unidad externa con la tubería refrigerante suministrada en el lugar.

Cuelgue la tubería refrigerante en ciertos puntos y evite que toque la parte frágil del edificio, como la pared, el cielo raso, etc.

(Si lo toca, puede producir un sonido anormal debido a la vibración de la tubería.

Preste atención en caso de una tubería de corta longitud.)

(3) Para ajustar la tuerca acampanada utilice dos llaves como se muestra en la imagen de la derecha.

(4) Aplique un poco de aceite refrigerante

(suministrado en el lugar) en la superficie del asiento de la tuerca acampanada y la tubería antes de realizar la conexión y el ajuste.

Cuando ajuste la tuerca acampanada, utilice dos llaves.

(5) La tubería refrigerante externa se debería conectar con la válvula de cierre.



Trabajo con dos llaves

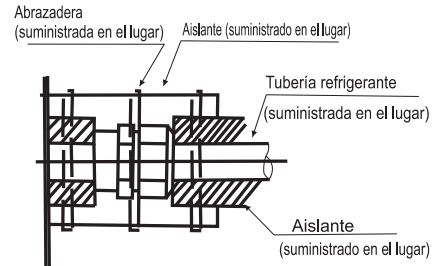
Tamaño de la tubería [pulgada (mm)]	Par de torsión
1/4(Φ 6.35)	14.75ft-lb (20N·m)
3/8(Φ 9.52)	29.5ft-lb (40N·m)
1/2(Φ 12.7)	44.25ft-lb (60N·m)
5/8(Φ 15.88)	59ft-lb (80N·m)

Par de torsión de ajuste para la tuerca acampanada

Instrucciones de instalación

(6) Después de terminar la conexión de la tubería refrigerante, manténgala caliente con material aislante como se muestra en la imagen de la derecha.

- Para el lado de la unidad externa, aisle cada tubería y las válvulas de manera segura.
- Cubra las juntas de la tubería con el cobertor de tuberías.
- Utilice cinta para tuberías, aplique la cinta desde la entrada de la unidad externa. Fije el extremo de la tubería con cinta adhesiva.
- Fije el extremo de la tubería con cinta adhesiva.
- Cuando se tiene que colocar la tubería a través del cielo raso, arriba del armario o de un área donde la temperatura y la humedad sean altas, envuelva con el aislante, que se vende de forma comercial, para evitar la formación de condensación.



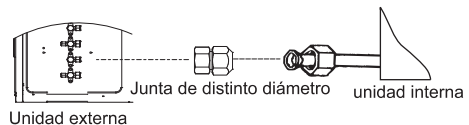
Procedimiento de aislamiento de la tubería



PRECAUCIÓN

Si el diámetro de la tubería de conexión no coincide con el tamaño del puerto de la unidad externa, seleccione juntas de diámetros diferentes en los accesorios siguiendo la siguiente tabla.

Nombre	Cantidad	Propósito
	1	Cambie el diámetro de la tubería desde 1/4 (6,35) hasta 3/8 (9,52)
	1	Cambie el diámetro de la tubería desde 3/8 (9,52) hasta 5/8 (15,88)
	1	Cambie el diámetro de la tubería desde 3/8 (9,52) hasta 1/2 (12,7)



Conecte la tubería utilizando la junta de distinto diámetro

5. Prueba hermética

- Verificación hermética - Utilice nitrógeno.

Conecte el manómetro utilizando las mangueras de carga con un cilindro de nitrógeno para comprobar las juntas de la línea de líquido y la línea de gas de las válvulas de cierre. Realice la prueba hermética.

No abra las válvulas de cierre de la línea de gas.

Aplique gas nitrógeno a una presión de 550psi (3.8MPa). Compruebe si hay fugas de gas en las conexiones de la tuerca acampanada o en las partes soldadas utilizando el detector de fugas de gas o un agente de espuma.

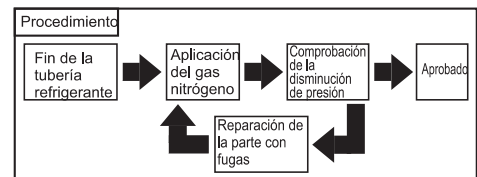
Si la presión de gas no disminuye está bien.

Después de la prueba hermética, libere el gas nitrógeno.

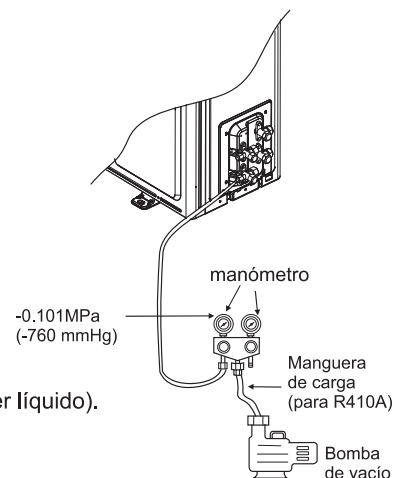
6. Bomba de vacío y carga del refrigerante

- Bomba de vacío

- (1) Quite la tapa del puerto de servicio de la válvula de cierre en el lado de la tubería de gas de la unidad externa.
- (2) Conecte el manómetro y la bomba de vacío en el puerto de servicio de la válvula de cierre en el lado de la tubería de gas de la unidad externa.
- (3) Haga funcionar la bomba de vacío.
(Deje funcionar por más de 15 minutos.)
- (4) Compruebe la bomba de vacío con el manómetro de la válvula; luego, cierre la válvula y detenga la bomba de vacío.
- (5) Déjela así por uno o dos minutos. Asegúrese de que el señalador del medidor permanezca en la misma posición. Confirme que el manómetro de presión muestre -14.7 psi (-0.101MPa o -760mmHg).
- (6) Quite el manómetro rápidamente desde el puerto de servicio de la válvula de cierre.
- (7) Después de conectar las tuberías refrigerantes y que se hayan vaciado, abra completamente las válvulas de cierre en ambos lados de la tubería de gas y de líquido.
- (8) Abra la válvula ajustada para añadir el refrigerante (el refrigerante debe ser líquido).
- (9) Ajuste la tapa en el puerto de servicio.
- (10) Vuelva a ajustar la tapa.
- (11) Vierta la espuma con detector de fugas halógeno para comprobar la tuerca acampanada y la soldadura.
Utilice espuma que no genere amoníaco (NH₃) en la reacción.



Procedimiento hermético

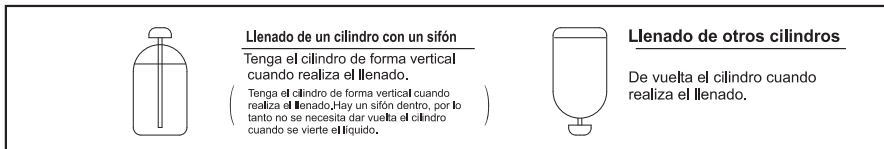


Instrucciones de instalación



PRECAUCIÓN

- Cada ducto necesita ser vaciado de forma individual.
 - La causa principal de problemas con la unidad es el exceso o la escasez del refrigerante. Cargue la cantidad correcta de refrigerante siguiendo la descripción en el manual.
 - Compruebe en detalle si hay fugas de refrigerante.
En caso de una gran fuga del refrigerante, causará dificultad para respirar o generará gases nocivos si se utiliza fuego en la habitación.
- Carga adicional del refrigerante
La unidad ha sido llenada con refrigerante. Refiérase a "Requisitos de la tubería" para calcular la carga adicional. Una vez que terminó el procedimiento de la bomba de vacío, primero quite el aire de la manguera de carga y luego abra las válvulas; cargue refrigerante del tipo "líquido" a través de la válvula de cierre de líquido. Por último, cierre las válvulas y registre la cantidad de carga del refrigerante.



Instalación eléctrica



ADVERTENCIA

- APAGUE el interruptor principal de la unidad interna y externa y espere por más de 3 minutos antes de realizar la instalación eléctrica o de realizar la verificación periódica.
 - Asegúrese de que el ventilador interno y el externo se hayan detenido antes de realizar la instalación eléctrica o de realizar la verificación periódica.
 - Proteja los cables, piezas eléctricas, etc. de ratas u otros animales pequeños.
Si no se protegen, las ratas pueden roer las partes desprotegidas y, en el peor de los casos, ocurrirá un incendio.
 - Evite que los cables toquen la tubería refrigerante, el borde de la placa y las piezas eléctricas dentro de la unidad.
Si no lo hace, los cables se dañarán y, en el peor de los casos, ocurrirá un incendio.
 - Instale un ELB (Interruptor diferencial) en la fuente de alimentación.
Si no se utiliza el ELB, en el peor de los casos, causará descargas eléctricas o incendios.
 - Esta unidad utiliza un inversor, lo que significa que se debe utilizar un detector de fugas a tierra capaz de manejar armónicos para evitar las fallas en el detector de fugas a tierra.
 - No utilice cables de conexión intermedios, cables trenzados (vea <Precauciones cuando conecta el cableado de alimentación>), cables de extensión o conexión de línea de control ya que el uso de estos cables puede causar calentamiento, descargas eléctricas o incendios.
 - El par de torsión de ajuste de cada tornillo debe ser de la siguiente manera.
M4: de 0.74 hasta 0.96 pies-libras (de 1.0 hasta 1.3 N-m)
M5: de 1.5 hasta 1.8 pies-libras (de 2.0 hasta 2.5 N-m)
M6: de 3 hasta 3.7 pies-libras (de 4.0 hasta 5.0 N-m)
M8: de 6.6 hasta 8.1 pies-libras (de 9.0 hasta 11.0 N-m)
M10: de 13.3 hasta 17 pies-libras (de 18.0 hasta 23.0 N-m)
- Mantenga el par de torsión de ajuste cuando realiza la instalación eléctrica.



PRECAUCIÓN

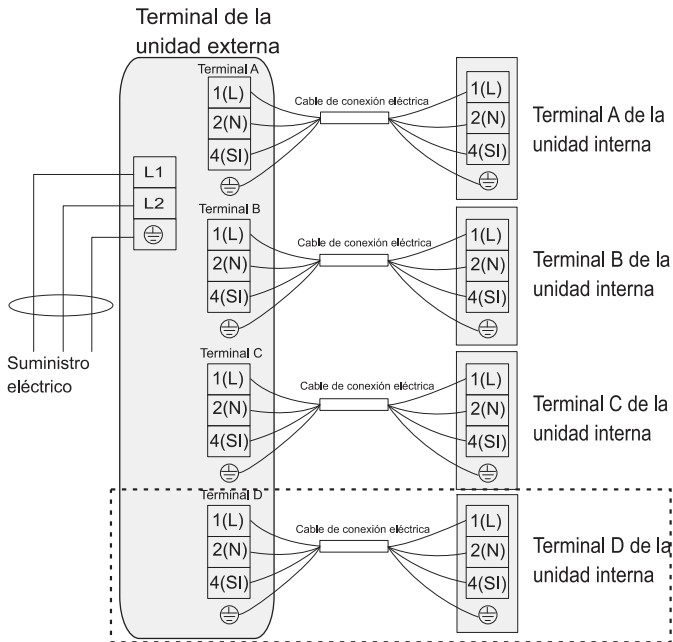
- Utilizando cinta en el cable, envuelva y selle los orificios para evitar el agua condensada y los insectos.
 - Asegure muy bien el cableado de alimentación utilizando la abrazadera dentro de la unidad.
- Nota: Fije los cojines de goma con cinta adhesiva cuando no se utilicen los tubos de la unidad interna.

Instrucciones de instalación

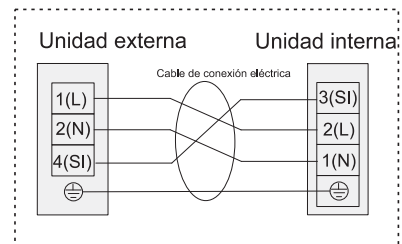
Verificación general

- (1) Asegúrese de que los componentes eléctricos seleccionados en el lugar (interruptores principales, disyuntores, cables, conectores y terminales) hayan sido seleccionados correctamente siguiendo los datos eléctricos. Asegúrese de que todos los componentes cumplan con el Código Eléctrico Nacional (NEC por sus siglas en inglés).
- (2) Asegúrese de que la tensión de la fuente de la alimentación esté entre +10% de la tensión nominal y que la fase a tierra esté contenida en los cables de suministro eléctrico. Si no, las piezas eléctricas se dañarán.
- (3) Asegúrese de que la capacidad de la fuente de alimentación sea suficiente. Si no, el compresor no podrá funcionar y causará una caída de la tensión anormal en el inicio.
- (4) Asegúrese de que el cable a tierra esté conectado.
- (5) Instale un interruptor principal, un conmutador multipolar con un espacio de 1/8 pulgadas (3,5 mm) o más, un interruptor de fase simple con un espacio de 1/8 pulgadas (3,0 mm) o más entre cada fase. Utilice un interruptor trifásico especial para el producto de 3 fases.
- (6) Asegúrese de que la resistencia eléctrica sea mayor a 2 MΩ midiendo la resistencia entre el suelo y la terminal de las partes eléctricas. Si no, no opere el sistema hasta que se haya encontrado y reparado la fuga eléctrica.

Diagrama de la instalación eléctrica



Nota: Para algunas unidades internas



Nota:

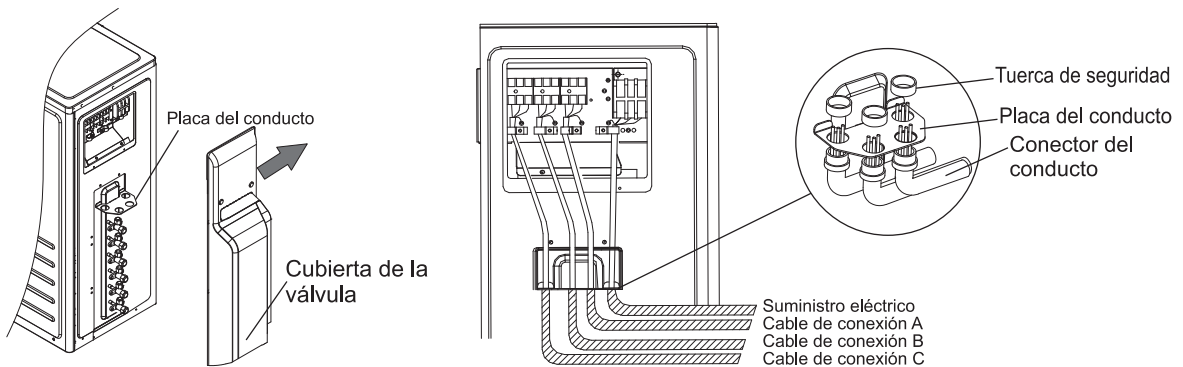
La terminal del recuadro es sólo válida para modelos de 36K.

Instrucciones de instalación

Pasos para conectar los cables:

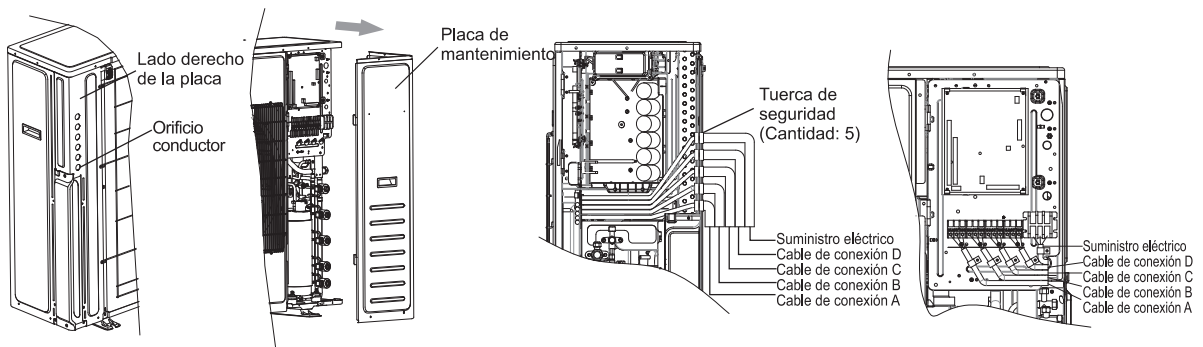
24K

- (1) Extracción de la cubierta de la válvula
Quite los dos tornillos de montaje.
Quite la cubierta de la válvula como se muestra siguiendo la marca de la flecha.
- (2) Sujete el cable de alimentación y el cable de conexión en el soporte del conducto utilizando la tuerca de seguridad.
- (3) Conecte el cable de alimentación y el cable de conexión a la terminal.
- (4) Sujete el cable de alimentación y el cable de conexión con la abrazadera.
- (5) Asegúrese de sellar los orificios cuando aplica la masilla.
Coloque los cables lado a lado. (No superponga los cables.)
- (6) Coloque el cobertor de servicio y la cubierta de la válvula después de terminar el trabajo.



36K

- (1) Desconecte 5 orificios conductores del lado derecho de la placa utilizando un martillo, etc.
- (2) Desatornille los tornillos de la placa de mantenimiento y quitelos como se muestra siguiendo la marca de la flecha.
- (3) Sujete el cable de alimentación y el cable de conexión a través del orificio conductor utilizando la tuerca de seguridad.
- (4) Conecte el cable de alimentación y el cable de conexión a la terminal.
- (5) Sujete el cable de alimentación y el cable de conexión con la abrazadera.
- (6) Asegúrese de sellar los orificios cuando aplica la masilla.
Coloque los cables lado a lado. (No superponga los cables.)
- (7) Vuelva a colocar la placa de mantenimiento después de terminar el trabajo.



Instrucciones de instalación

Datos eléctricos

Capacidad del modelo	Suministro eléctrico	Interruptor diferencial (ELB)		Tamaño del cable de la fuente de alimentación	Tamaño del cable de transmisión	Disyuntor (A)
		Corriente nominal (A)	Corriente nominal de sensibilidad (mA)			
24K	208/230V ~, 60Hz	30	30	Cable 12AWG2+A tierra	Cable 16AWG3+A tierra	30
36K	208/230V ~, 60Hz	40	30	Cable 10AWG2+A tierra	Cable 16AWG3+A tierra	40

Corriente circulante máxima (A): REFIÉRASE A LA PLACA

Nota:

- (1) Siga los códigos y normas locales cuando seleccionan los cables; lo de arriba es el tamaño mínimo del cable.
- (2) Cuando la longitud del cable de transmisión es mayor que 49 pies (15 m), se debe seleccionar un cable de mayor tamaño.
- (3) Instale el interruptor principal y el interruptor diferencial para cada sistema de manera separada. Seleccione un interruptor diferencial del tipo de respuesta alto que funcione dentro de 0.1 segundos.

<Precauciones cuando conecta el cableado de alimentación>

1. Cuando realiza la conexión del bloque terminal utilizando cable trenzado, asegúrese de utilizar la terminal del tipo ondulado para la conexión al bloque terminal de la fuente de alimentación. Coloque las terminales del tipo ondulado en los cables hasta la parte cubierta y asegúrelo en el lugar.
2. Cuando conecta el bloque terminal utilizando un cable de único núcleo, asegúrese de realizar la curación.

Instrucciones de instalación

Prueba

La prueba de funcionamiento se debe realizar después de terminar el trabajo de la tubería refrigerante, el desagüe, la instalación eléctrica, etc.



El aire acondicionado está equipado con un calentador de cárter, asegúrese de que el interruptor en la fuente de suministro principal haya estado ENCENDIDO por más de 6 horas antes de encender el precalentador, de lo contrario, ¡podría dañar el compresor!

No opere el sistema hasta haber verificado todos los puntos de verificación.

(A) Asegúrese de que las válvulas de cierre de la unidad externa estén completamente abiertas.

(B) Asegúrese de que los cables eléctricos estén completamente conectados.

(C) Asegúrese de que la resistencia eléctrica sea mayor a 2 MΩ midiendo la resistencia entre el suelo y la terminal de las partes eléctricas. Si no, no opere el sistema hasta que se haya encontrado y reparado la fuga eléctrica.

Identificación de función de la prueba

ENCIENDA el control remoto y luego proceda con la prueba.

Preste atención a los siguientes ítems mientras el sistema está funcionando.

No toque ninguna pieza con las manos en el lado de descarga de gas ya que la cámara del compresor y las tuberías en el lado de descarga están calientes a más de 194° F (90° C).

- Apague la energía después de terminar la prueba.

La instalación del electrodoméstico se termina generalmente después de realizar las operaciones mencionadas arriba.

Si aún tiene problemas, contacte al centro de servicios técnico local de nuestra empresa para más información.

